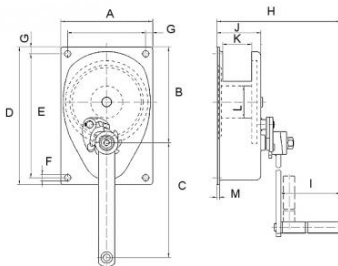


WA 300 kg



Manual wall winches 300 kg.

Use :

- Lifting operations only
- Indoor - Outdoor
- Wall-mounted position
- Sports halls
- Shows (stage equipments...)
- Industry
- Outdoor advertising (billboard...)
- Opening of traps...

Comply with Machines Directive 2006/42/EC. Developed and manufactured in accordance with standard NF EN 13157.

Technical properties

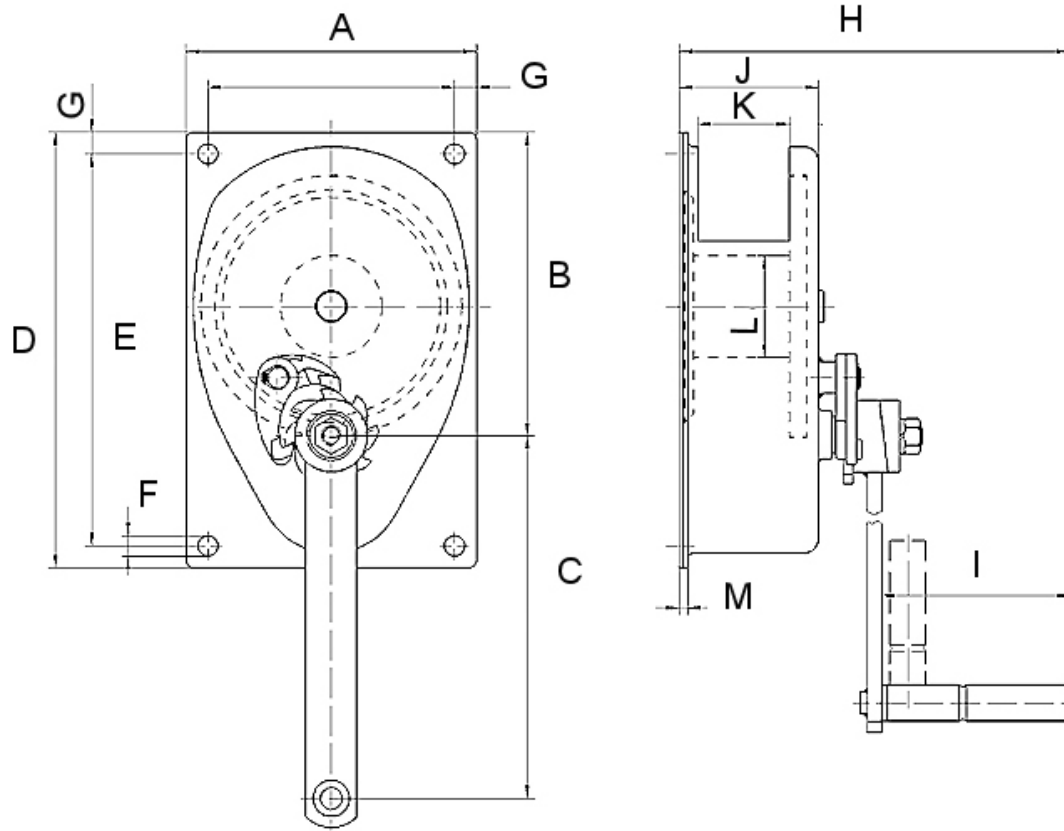
- Very compact.
- Hand rope winch with spur gear.
- Sécurité totale grâce au capotage complète du mécanisme.
- Blow-back proof safety crank with folding handle.
- Load reaction brake.
- Corrosion resistant by finish powder coated.
- Easy to install (4 attachment points).
- Easy to use.

Technical characteristics of WA 300 kg

Max. wire rope cap. m	10
Capacity 1st layer kg	500
Capacity top layer kg	330
Wire rope Ø mm	6,5
Weight (without wire rope) kg	10
Lift per crank revolution mm	30
Max. hand force on crank kg	21

Dimensions

A mm	200
B mm	209
C mm	250
D mm	300
E mm	270
F mm	13
G mm	15
H mm	270
I mm	130
J mm	96
K mm	63
L mm	Ø 70
M mm	6



Technical characteristics of the other models of the range

References	WA500
Max. wire rope cap. m	10
Capacity 1st layer kg	500
Capacity top layer kg	330
Nb of layers	
Wire rope cap. 1st layer m	
Wire rope cap. top layer m	
Wire rope Ø mm	6,5
Weight (without wire rope) kg	10
Lift per crank revolution mm	30
Max. hand force on crank kg	21



HUCHEZ's advice
Easy to install and to use.



HUCHEZ
9, Grande Rue
60420 FERRIERES – France
☎ +33 (0) 3 44 51 11 33
Site internet : www.huchez.com
E-mail : contact@huchez.fr



**SERVICE
CLIENTS**

Pour en savoir plus, n'hésitez pas à nous contacter !
To know more, please contact us!