

ENGINEERED LIFTING SOLUTIONS

HOISTING FOR EXTREME APPLICATIONS



HD3C PUSH AND GEARED TROLLEYS ATEX HIGH

500KG – 30,000KG LIFTING CAPACITY



ATEX
Explosion Protected

Leaflet No. KITO-83900-83910:01

HD3C PUSH AND GEARED TROLLEYS ATEX HIGH 500KG – 30,000KG LIFTING CAPACITY



ATEX
Explosion Protected

Designed and manufactured according to:

- ▶ EC machinery directive 2006/42/EC
- ▶ ATEX Directive 2014/34/EU
- ▶ EN13157
- ▶ Manufactured in the Netherlands

Standard features:

- ▶ Equipment classification Gas $\text{Ex II 2G EX h IIC T4 Gb}$ (zone 1)
- ▶ Equipment classification Dust $\text{Ex II 2D EX h IIC T135°C Db}$ (zone 21)
- ▶ Unique 3 bolt design which ensures stability and safe situation
- ▶ Adjustable suspension bolts (see table)
- ▶ Wheel break support and anti-tilt device integrated
- ▶ Trolley wheels with life time lubricated bearings
- ▶ Suitable for all types of beams
- ▶ Surface treatment trolley electric galvanized up to 64kN chassis type
- ▶ Surface treatment trolley 2 layer paint system, RAL7021, chassis type 84kN and higher
- ▶ Hand chain stainless steel
- ▶ Rubber buffers mounted on the trolley
- ▶ Solid bronze wheels

Remark:

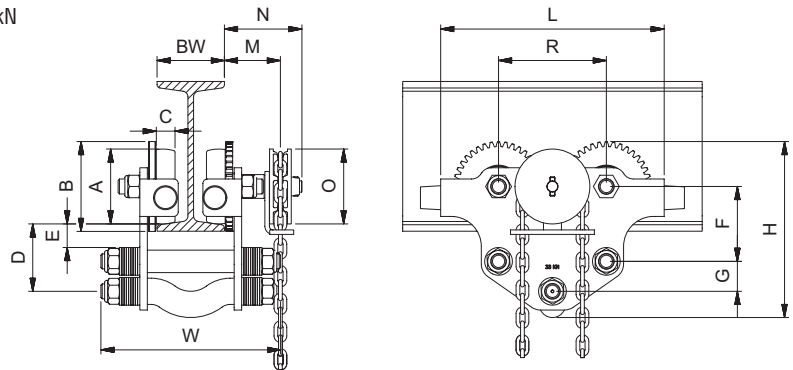
The minimum beam radius is based on the maximum beam width which is specified in the table. For smaller curved beams always contact us or your local agent for clarification.

Maximum INP profile restriction for 6kN = INP220, 11kN = INP300, 22kN = INP360, 33kN = INP400, 52/64kN = INP450

Equipment is executed with non-sparking materials for fast mechanical contact parts

Optional:

- ▶ Special surface protection according to ISO 12944
- ▶ Extended chain wheel drive (max. 300mm), dimension "M"
- ▶ Parking device for parking in unloaded condition
- ▶ Special side plates to increase dimension "E"
- ▶ Stainless steel nameplate with tag number
- ▶ 3.1 load test certificate
- ▶ 3.1 material certificate for load bearing trolley parts



Capacity kg	Article number Push	Article number Geared	Chassis	Adjustable beam width min-max	Min. radius	Chain pull max. kg	Weight * / ** kg	Dimensions													
								A	B	C	L	H	W	R	D	E	F	G	M	N	O
500	83900-00600	-	6 kN	55-102	700	-	3	45	60	15	150	125	160	75	52	15	45	30	-	-	-
	83900-00601	-		105-152									210								
	83900-01100	83910-01100		55-102									175								
1,000	83900-01101	83910-01101	11 kN	105-152	1,050	10	5-6	60	75	18	190	160	225	99	60	20	60	30	65	90	100
	83900-01102	83910-01102		156-203									275								
	83900-01103	83910-01103		207-254									325								
	83900-02200	83910-02200		74-127									215								
	83900-02201	83910-02201		127-180									270								
2,000	83900-02202	83910-02202	22 kN	190-243	1,400	16	11-12	80	100	22	255	205	330	123	75	27	80	35	65	90	100
	83890-02203	83910-02203		254-305									390								
	83900-03300	83910-03300		90-143									250								
	83900-03301	83910-03301		149-203									310								
	83900-03302	83910-03302		203-254									360								
3,200	83900-03303	83910-03303	33 kN	251-305	1,750	20	18-19	100	120	25	300	245	410	144	90	35	100	40	70	95	100
	83900-05200	83910-05200		106-156									270								
	83900-05201	83910-05201		160-210									325								
	83900-05202	83910-05202		210-260									375								
	83900-05203	83910-05203		255-305									420								
5,000	83900-06400	83910-06400	52 kN	106-156	2,200	20	31-32	125	150	30	375	305	270	174	117	40	120	60	100	130	135
	83900-06401	83910-06401		160-210									325								
	83890-06402	83910-06402		210-260									375								
	83900-06403	83910-06403		255-305									420								
	83900-08401	83910-08401		84 kN									>= 119								
10,000	83900-10401	83910-10401	104 kN	>= 131	19	90-95	160	190	35	450	370	BW+150	220	145	45	145	80	105	130	270	
12,500	83900-12401	83910-12401	124 kN	>= 143	23	95-100	160	190	35	450	370	BW+150	220	145	45	145	80	105	130	270	
16,000	83900-16401	83910-16401	164 kN	>= 155	25	135-145	200	240	50	550	445	BW+185	272	165	42	165	100	135	170	300	
20,000	83900-20401	83910-20401	204 kN	>= 170	25	140-150	200	240	50	550	450	BW+185	272	165	42	165	100	135	170	300	
25,000	83900-25401	83910-25401	254 kN	>= 185	25	150-160	200	240	50	550	455	BW+195	272	165	42	165	100	135	170	380	
30,000	83900-32801	83910-32801	328 kN	>= 200	25	310	250	288	55	670	655	BW+286	320	265	62,5	215	175	144	181	380	

* Weight push trolley ** Weight of geared trolley / Each control meter hand chain = 1kg

Changes in design and measurements reserved.